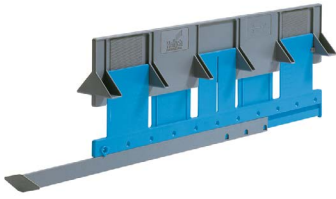


Drilling jigs

- ▶ BlueJig Handle
- ▶ For handles and knobs



BlueJig handle hole marking jig



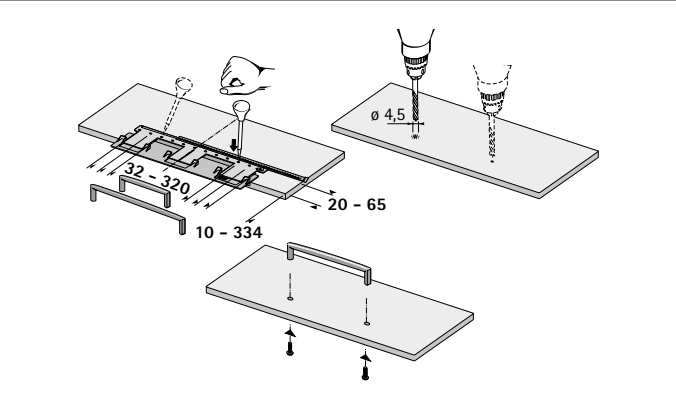
- ▶ Reversible, 2-dimensionally adjustable hole marking jig
- ▶ For marking System 32 drilling patterns for handles (drill hole spacing from 32 - 320 mm) and knobs
- ▶ Adjustment range:
 - Space from drawer front side edge to first fixing hole of handle 10 - 334 mm
 - Space from drawer front top / bottom edge to position of handle 20 - 65 mm
- ▶ Grey / blue plastic

Order no.	PU
0 048 771	1 ea.

BlueJig Handle



Installation



Setting for side positioning 10 - 334 mm

