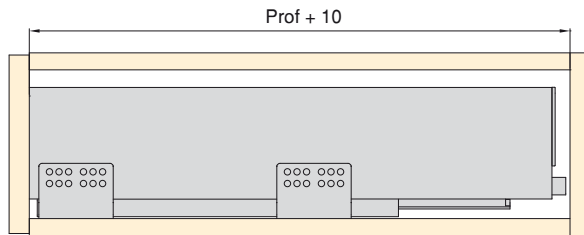
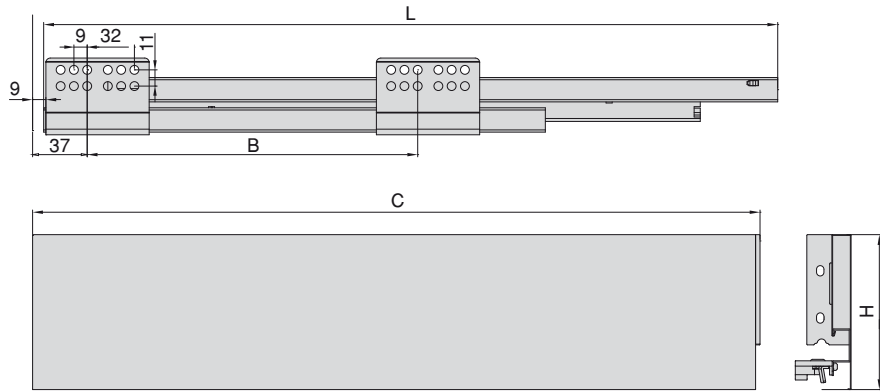
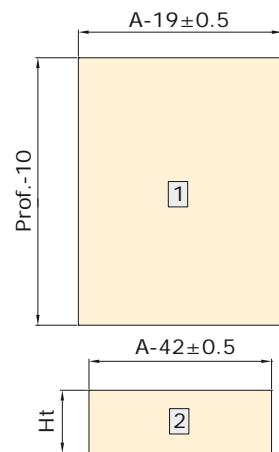
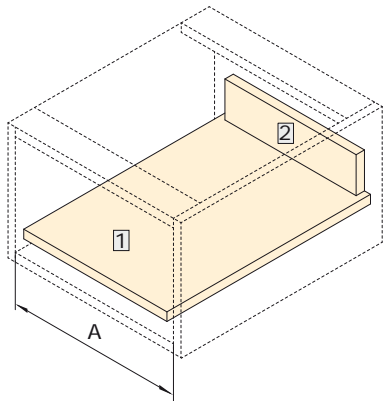


CONCEPT DRAWER / CASSETO CONCEPT / CAJÓN CONCEPT / TIROIR CONCEPT / GAVETA CONCEPT

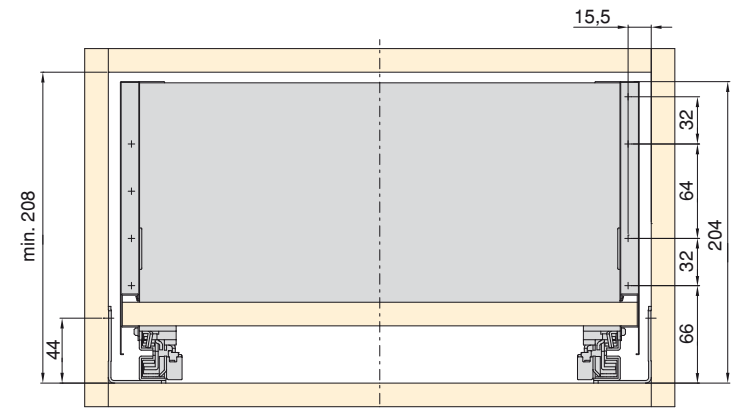
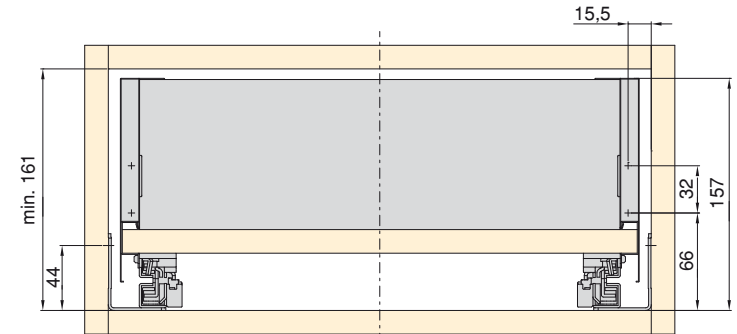
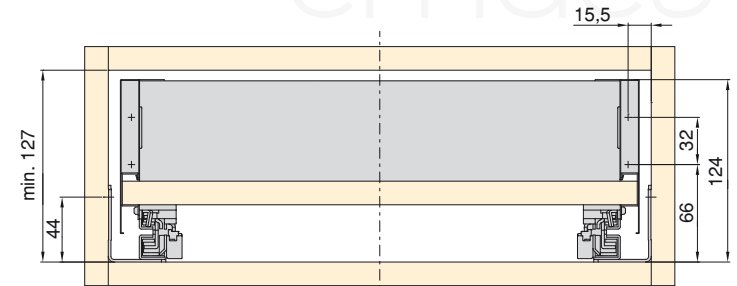


Prof.	L	B	C	H
270	268	96	263	105
300	298	128	293	138
350	348	128	343	185
400	398	192	393	
450	448	224	443	
500	498	224	493	

PANEL DIMENSIONS - DIMENSIONI DEI PANNELLI
DIMENSIONES DE PANELES - DIMENSIONS DES PANNEAUX
DIMENSÕES DOS PAINÉIS

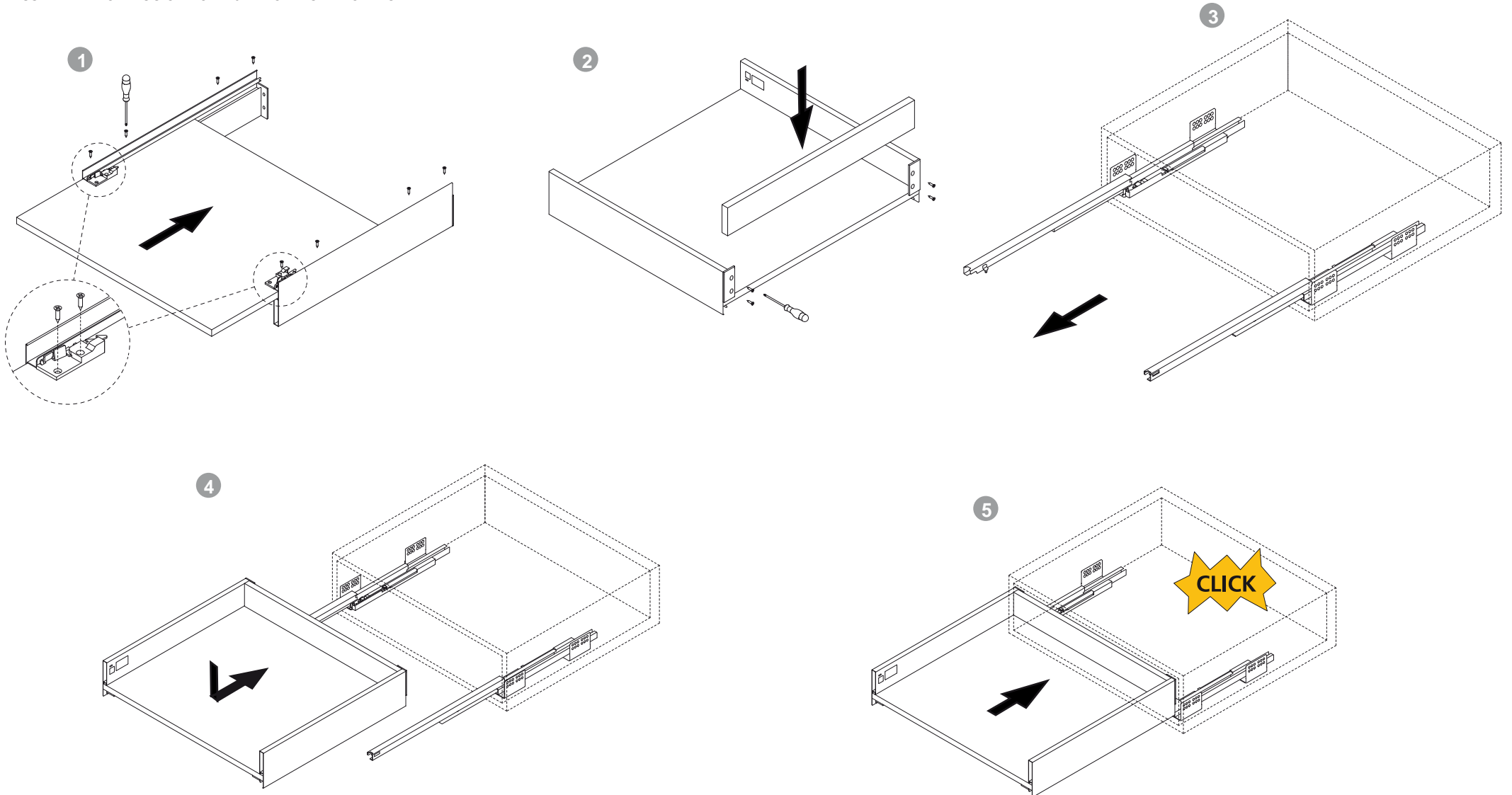


H	Ht
105	68
138	102
185	149



CONCEPT DRAWER / CASSETO CONCEPT / CAJÓN CONCEPT / TIROIR CONCEPT / GAVETA CONCEPT

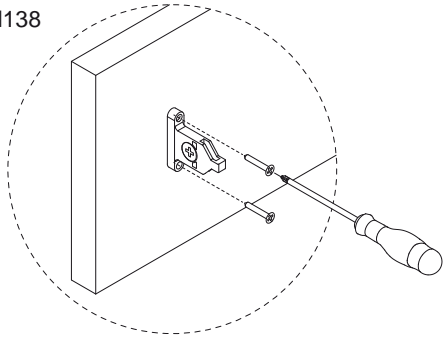
ASSEMBLY - MONTAGGIO - MONTAJE - MONTAGE - MONTAGEM



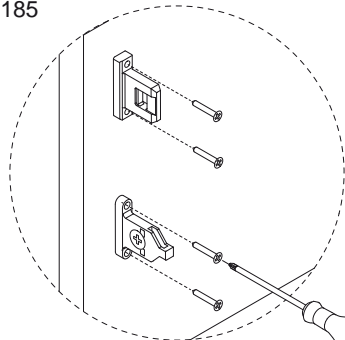
CONCEPT DRAWER / CASSETO CONCEPT / CAJÓN CONCEPT / TIROIR CONCEPT / GAVETA CONCEPT

6

H105
H138

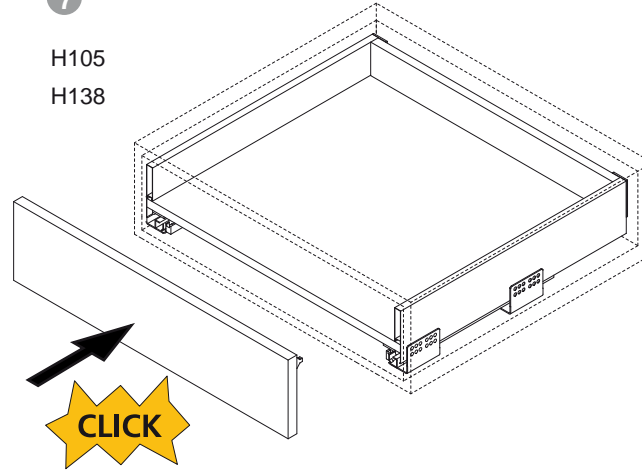


H185

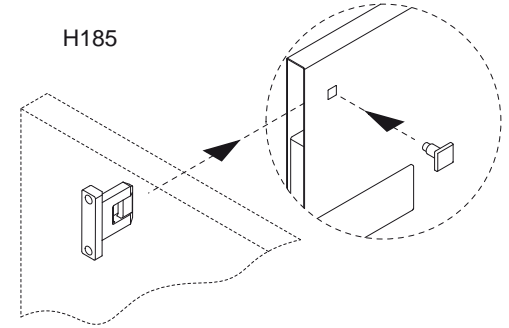


7

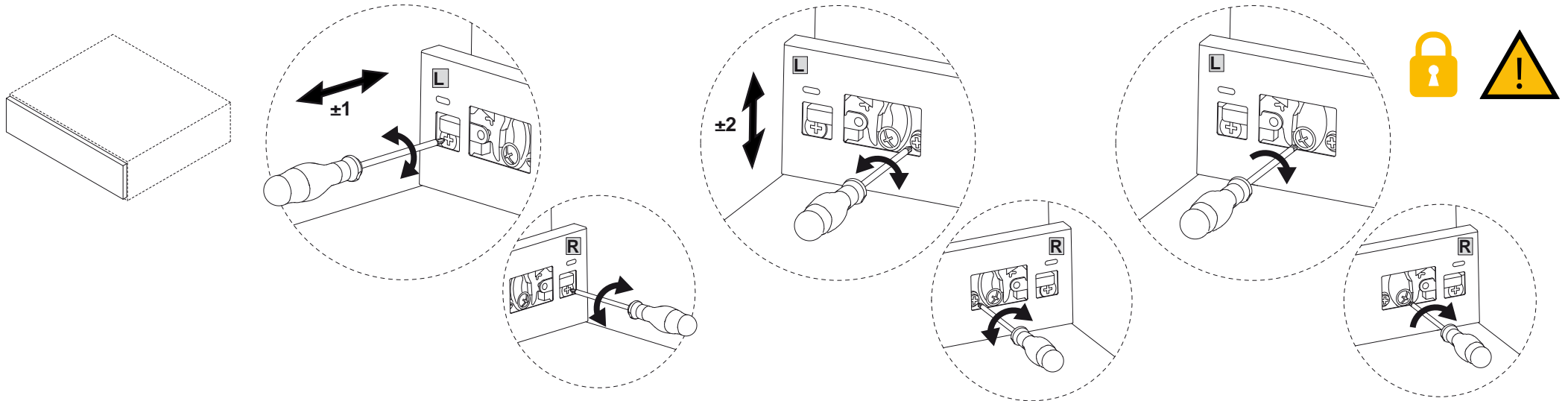
H105
H138



H185

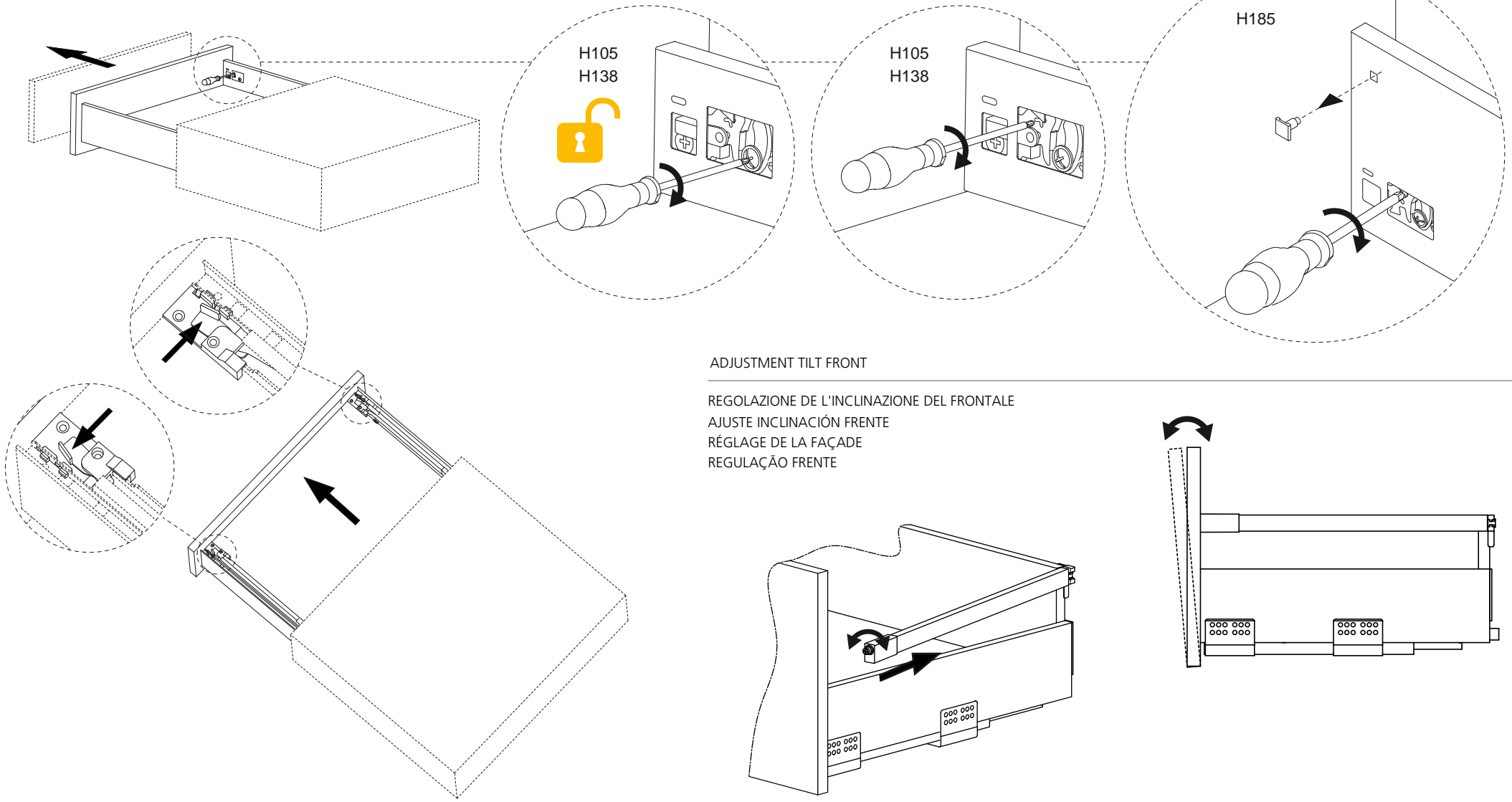


ADJUSTMENT - REGOLAZIONE - REGULACIÓN - RÉGLAGE - REGULAÇÃO



CONCEPT DRAWER / CASSETO CONCEPT / CAJÓN CONCEPT / TIROIR CONCEPT / GAVETA CONCEPT

DISMOUNTING - SMONTAGGIO - DESMONTAJE - DÉMONTAGE - DESMONTAGEM



ADJUSTMENT TILT FRONT

REGOLAZIONE DE L'INCLINAZIONE DEL FRONTALE
 AJUSTE INCLINACIÓN FRENTE
 RÉGLAGE DE LA FAÇADE
 REGULAÇÃO FRENTE