



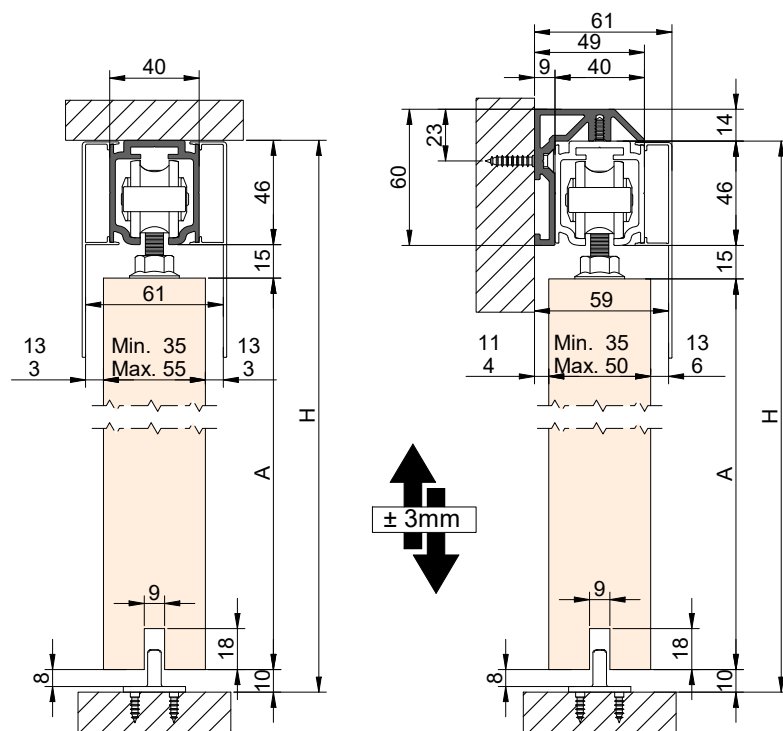
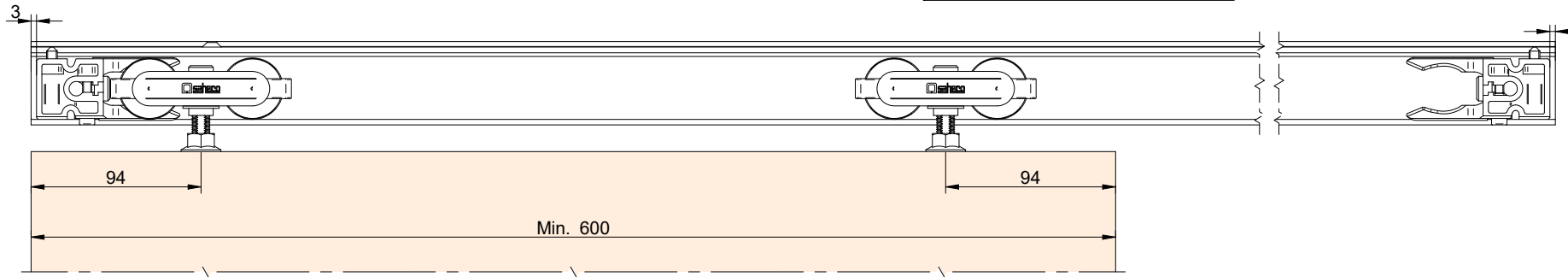
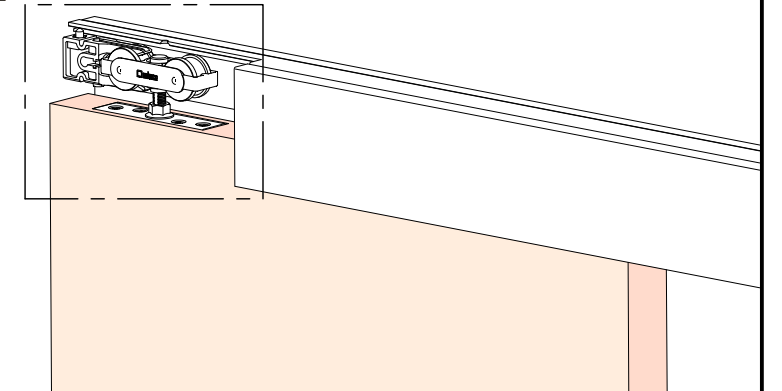
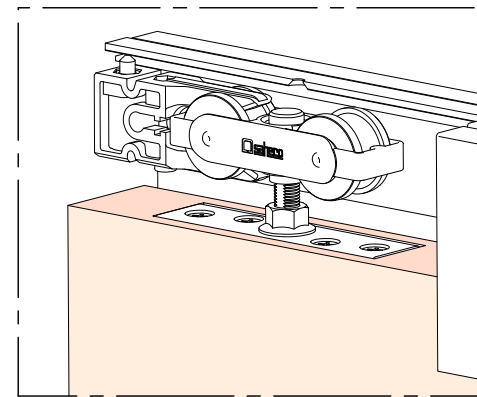
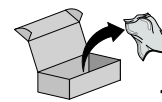
8 422204 805748

NOV. 2021

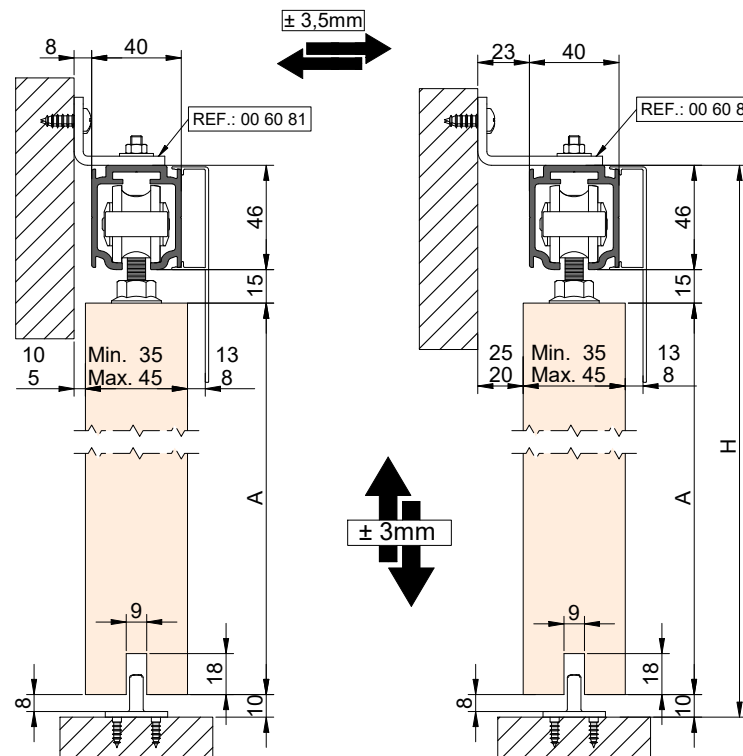
038060059

CODE: 0 125 00

a		2	g		2
c		2	h		1
d		2	i		1
f		8	j		4
			n		2

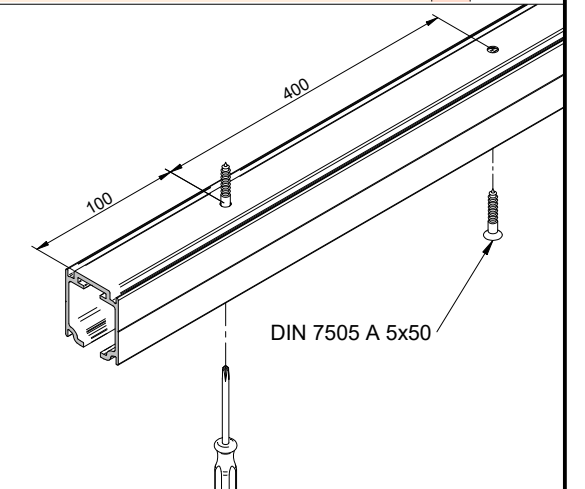
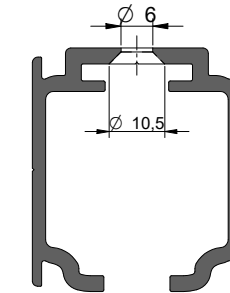


A=H-71

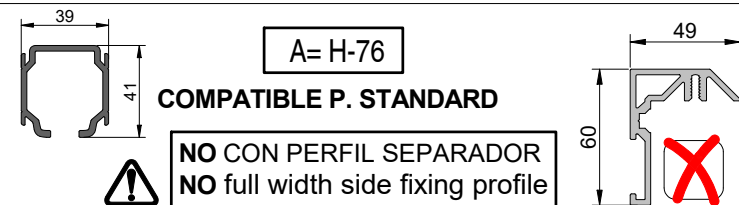
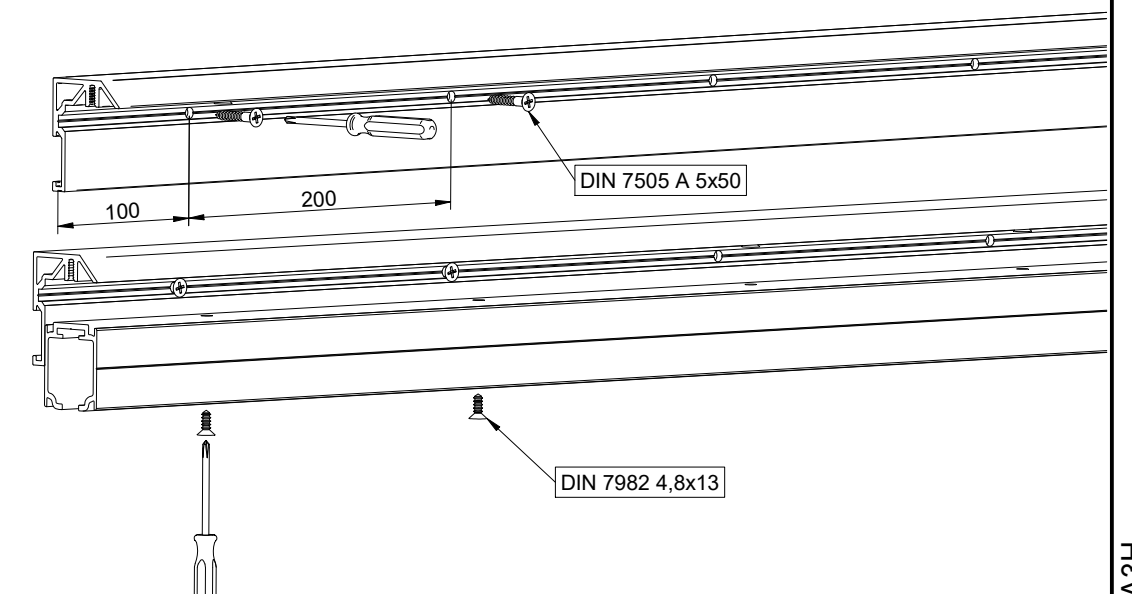


A=H-71

1 MONTAJE A TECHO / Ceiling mount



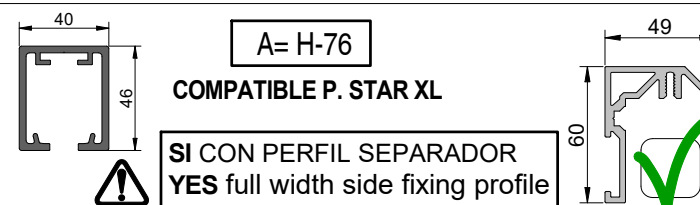
2 MONTAJE A PARED + PERFIL SEPARADOR / Wall mount + full width side fixing profile



A=H-76

COMPATIBLE P. STANDARD

NO CON PERFIL SEPARADOR  
NO full width side fixing profile

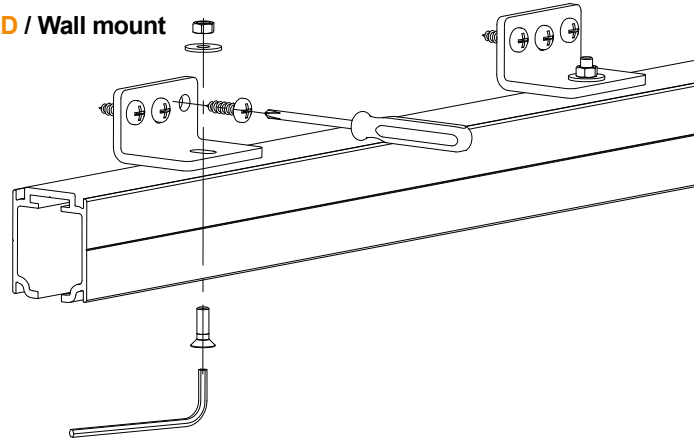


A=H-76

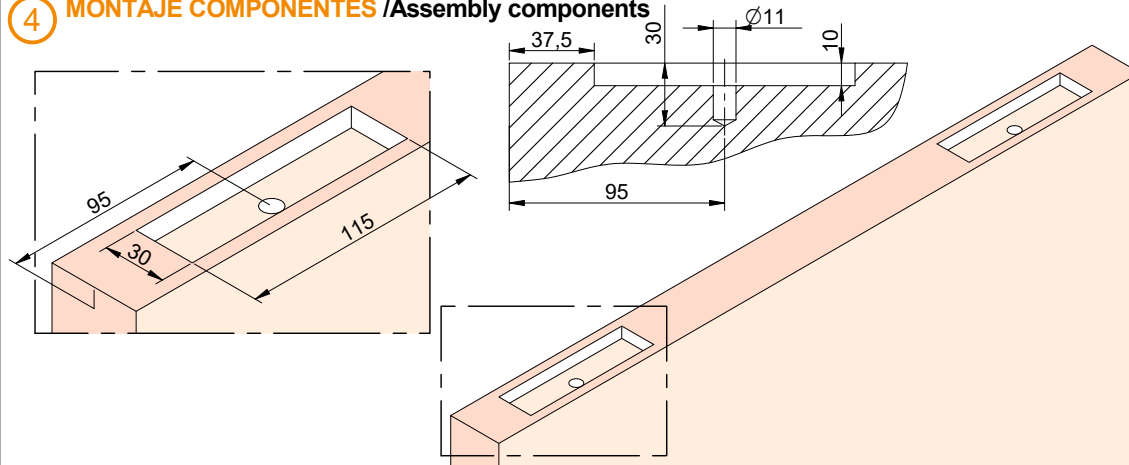
COMPATIBLE P. STAR XL

SI CON PERFIL SEPARADOR  
YES full width side fixing profile

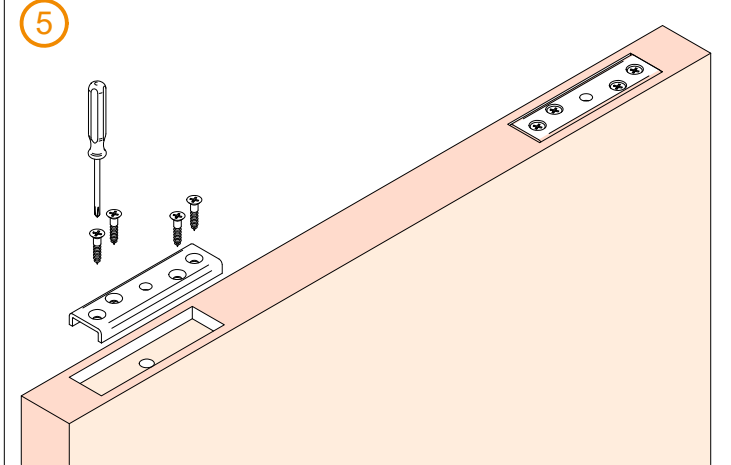
3 MONTAJE A PARED / Wall mount



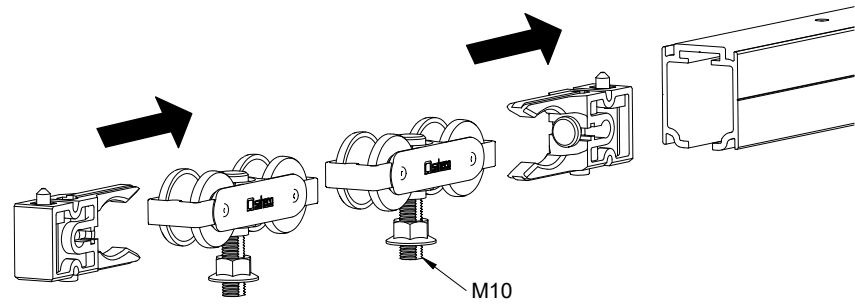
4 MONTAJE COMPONENTES / Assembly components



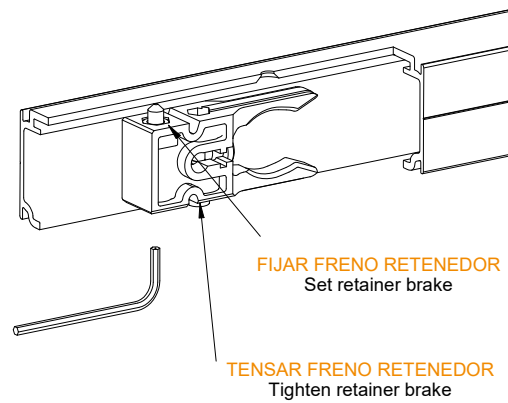
5



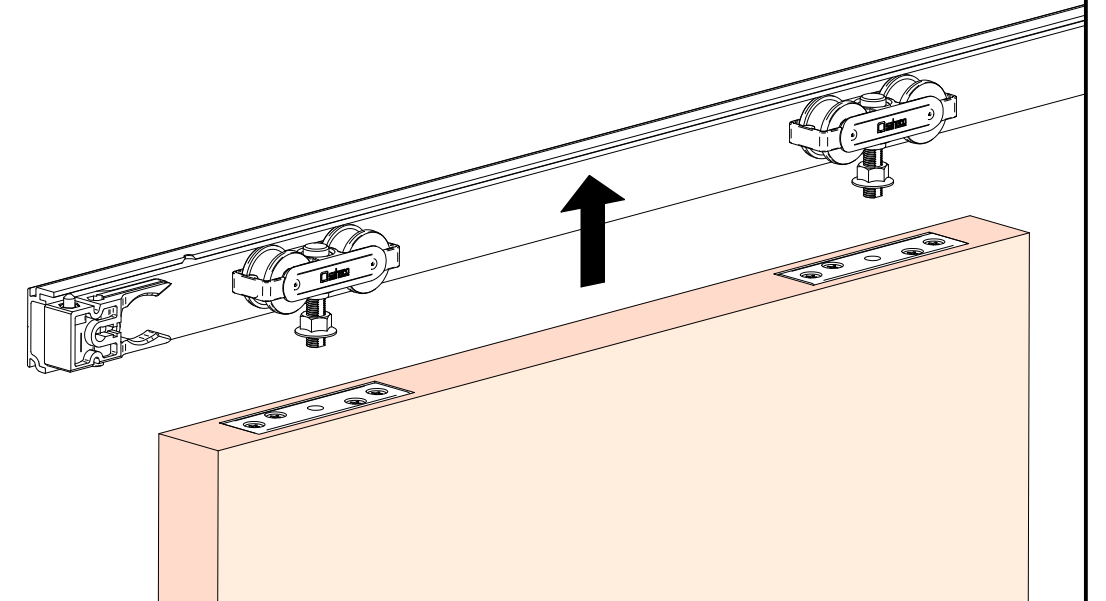
6



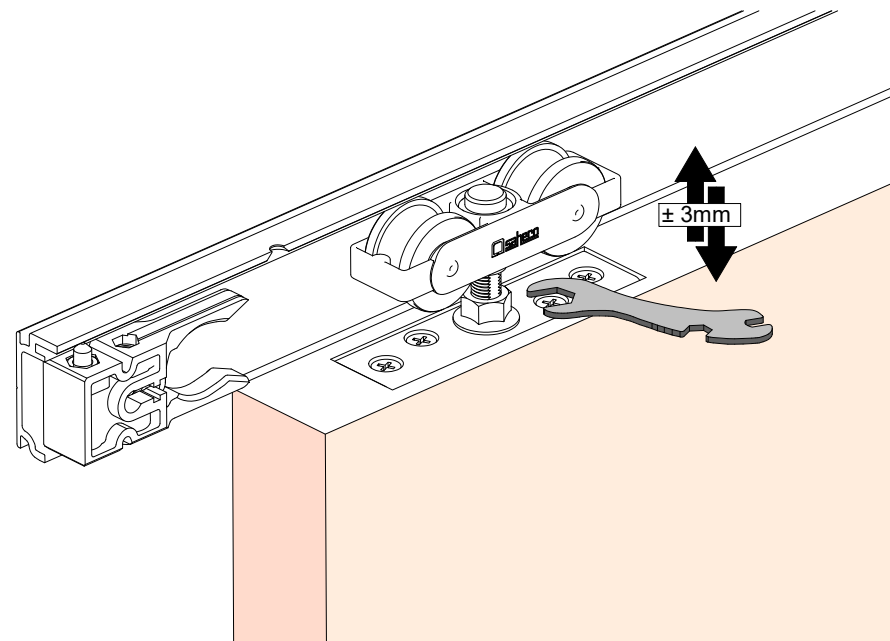
7



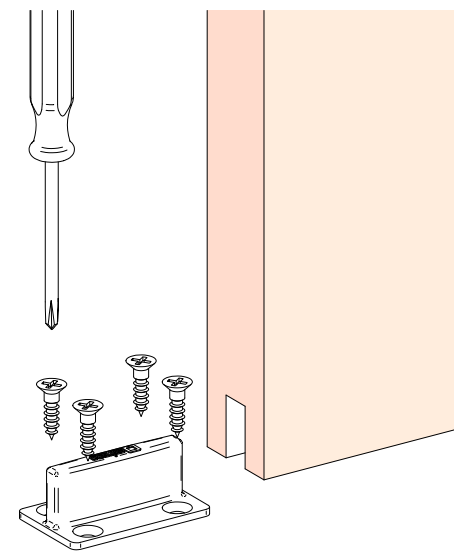
8



9 MONTAJE PUERTA / Door installation



10



11 MONTAJE TAPETA / Pelmet cover mount

